

NOTES:

1.MATERIAL:

- CONTACTS—COPPER ALLOY
- SHELL—COPPER ALLOY
- HOUSING—UL 94—V—0 RATED THERMOPLASTIC.

2.PLATING:

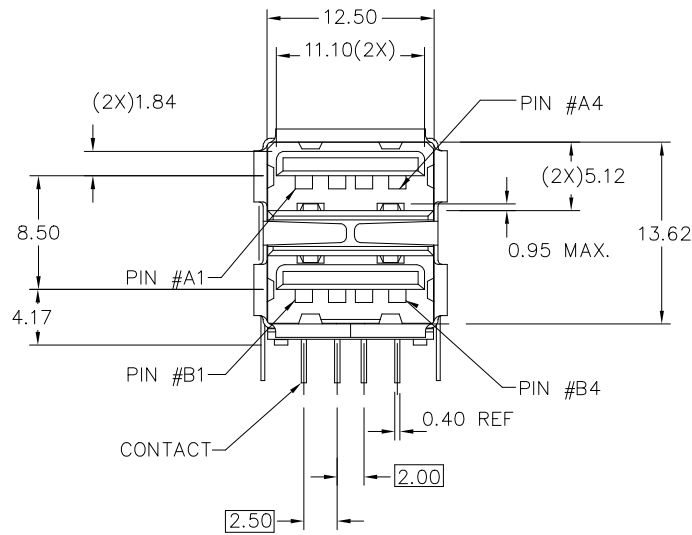
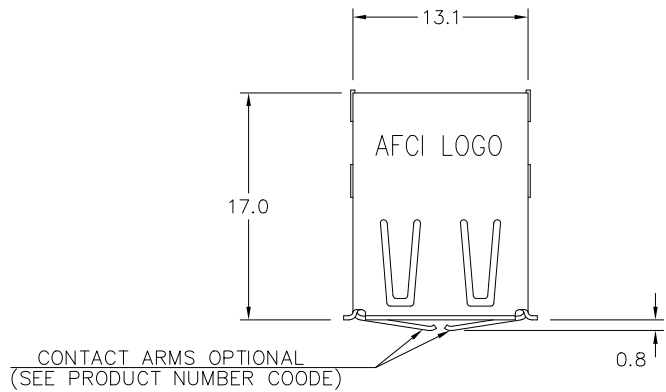
- CONTACTS: SEE PRODUCT NUMBER CODE;
- SHELL: SEE PRODUCT NUMBER CODE.

③ DATUM AND BASIC DIMENSIONS ESTABLISHED BY CUSTOMER.

4.RECOMMENDED PC BOARD THICKNESS OF 1.57mm.

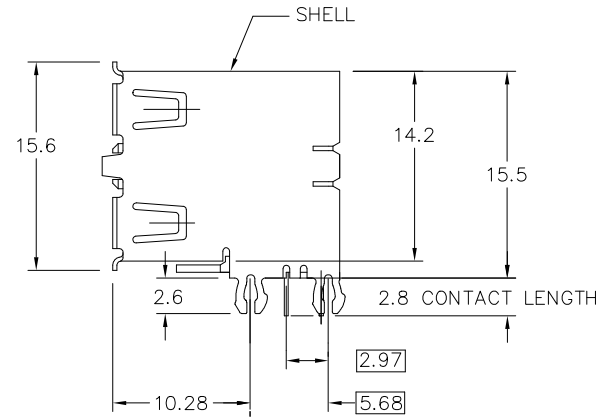
5.P/N SEE PRODUCT NUMBER CODE.  
( TO BE CONTINUED)

mat'l. code		surface ISO 1302 ✓		tolerance ISO 406 ISO 1101		projection		product family	
ltr		ecn no		dr		date		USB HPL511	
AK		ELX-N-26385		LZ		2017/03/17		title	
AL		ELX-N-33725		YY		2019/05/29		UNIV. SERIAL BUS DOUBLE DECK RECEPTACLE	
				angles		linear		dwg no	
				0°±3'		.0±.3		sheet 1 of 4	
						.00±.20		size	
						.000±.10		A3	
AF		N06-0133		HB		05/17/06		Amphenol FCI	
AG		N08-0198		RB		2008/09/10		72309	
AH		N08-0238		RB		2008/11/01		type	
AJ		ELX-N-004655		A.ZH		2011/07/26		Product Customer Drawing	
sheet		revision		AL					
index		sheet		1~4					

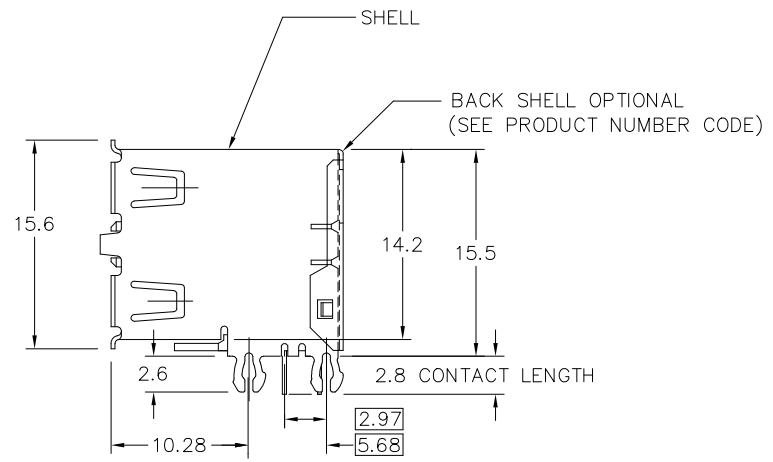
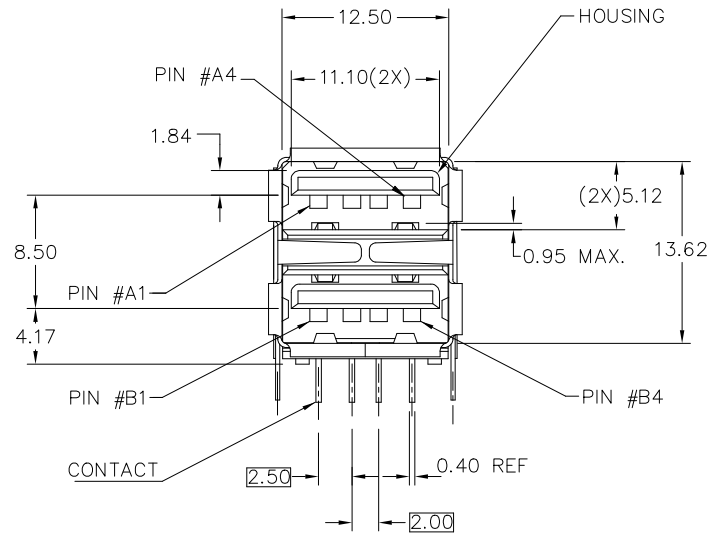
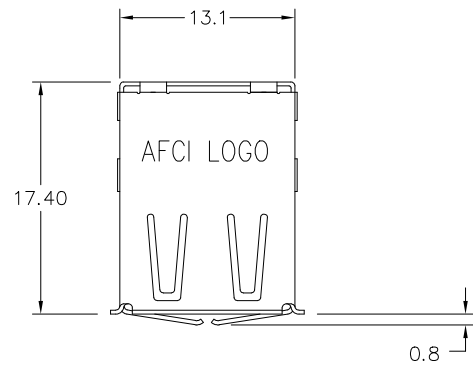


ASSEMBLY WITHOUT BACK SHIELD  
72309-XX3XX SHOWN

- (CONTINUED)
6. FOR LEAD FREE P/N, A LEAD FREE LABEL WILL APPEAR AT PACKING.
  7. FOR LEAD FREE P/N, THE HOUSING WILL WITHSTAND EXPOSURE TO 260°C PEAK TEMPERATURE FOR 40 SECONDS IN A CONVECTION, INFRA-RED OR VAPOR PHASE REFLOW OVEN.
  8. FOR LEAD FREE P/N, THE PRODUCT MEET EUROPEAN UNION DIRECTIVES AND OTHER COUNTRY REGULATION AS DESCRIBED IN GS-22-008
  9. PACKAGING SPECIFICATION PER GS-14-393.
  10. PRODUCT SPECIFICATION PER GS-12-095.



mat'l. code		surface ISO 1302 ✓		tolerance ISO 406 ISO 1101		projection		product family	
ltr		ecn no		dr		date		USB HPL511	
AL								title	
								UNIV. SERIAL BUS DOUBLE DECK RECEPTACLE	
								dwg no	
								72309	
								sheet 2 of 4	
								size	
								A3	
								type	
								Product Customer Drawing	
sheet index		revision sheet		AL 1~4					



ASSEMBLY WITH BACK SHIELD  
72309 - XX4XX SHOWN

mat'l. code		surface	tolerance	projection	product family
		ISO 1302 ✓	ISO 406 ISO 1101		USB HPL511
ltr	ecn no	dr	date	tolerances unless otherwise specified	title
AK1				linear .0±.3 angular .00±.20 0°±3' .000±.10	UNIV. SERIAL BUS DOUBLE DECK RECEPTACLE
					scale 1:1
					mm
					sheet 3 of 4 size A3
					dwg no 72309
					type Product Customer Drawing
sheet	revision	AL			
index	sheet	1~4			

PRODUCT NUMBER CODE

72309 - X X X X X P S LF

BASE PRODUCT NUMBER

HOUSING COLOR + SHELL PLATING OPTIONS

- 0 - WHITE + NICKEL & TIN LEAD PLATING
- 1 - BLACK + NICKEL & TIN LEAD PLATING
- 2 - WHITE + NICKEL PLATING ONLY
- 3 - BLACK + NICKEL PLATING ONLY
- 4 - WHITE + NICKEL PLATING ONLY + LCP HSG
- 5 - BLACK + NICKEL PLATING ONLY + LCP HSG
- 6 - BLACK + NICKEL & TIN LEAD PLATING + LCP HSG
- 7 - BLACK + NICKEL & BRIGHT TIN PLATING
- 8 - WHITE + NICKEL & BRIGHT TIN PLATING
- 9 - BLACK + NICKEL & BRIGHT TIN PLATING +LCP HSG
- A - BLACK + NICKEL & MATTE TIN PLATING +LCP HSG
- S - BLACK + NICKEL PLATING ONLY + LCP HSG

SHELL PLATING OPTION

- 0 - BARREL-PLATING
- 1 - PRE-PLATING

SHELL OPTIONS

- 1 - NO BACK SHIELD, NO ARMS, FRONT GROUNDING ARMS
- 2 - BACK SHIELD, NO FRONT GROUNDING ARMS
- 3 - NO BACK SHIELD, FRONT GROUNDING ARMS
- 4 - BACK SHIELD, FRONT GROUNDING ARMS

TERMINAL OPTION

- 3 - 50u" Ni UNDERPLATE,30u" GXT CONTACT AREA,100u" MATTE TIN TAIL AREA  
2.80mm TAIL LENGTH
- 4 - 50u" Ni UNDERPLATE,30u" GXT CONTACT AREA,100u" MATTE TIN TAIL AREA  
2.80mm TAIL LENGTH
- 5 - 50u" Ni UNDERPLATE,30u" GOLD CONTACT AREA,100u" MATTE TIN TAIL AREA  
3.94mm TAIL LENGTH

PACKAGING OPTIONS

- B - TUBES
- R - TAPE & REEL
- Q - SPECIAL TUBES (LENGTH 600MM MAX)
- △ S - SPECIAL TAPE & REEL (REEL'S DIAMETER IS 380MM)

WITH DATE CODE

ONLY FOR PANASONIC

LEAD FREE MARK

LEAD FREE CONVERSION RULES -  
HOUSING COLOR AND SHELL PLATING OPTION: 0 TO 8, 1 TO 7, 6 TO 9  
TERMINAL PLATING OPTION: 0 TO 4, 2 TO 3  
SPECIFICIAL SHELL MATERIAL FOR 12K CYCLES DURABILITY,  
PART NUMBER: 72309-S033XPLF/-S034XPLF

NOTE:

AVAILABLE P/N'S IN FCI NOW FOLLOWED:

- 72309-0010X/8014XLF 72309-2010X/2014XLF
- 72309-0012X/8013XLF 72309-2012X/2013XLF
- 72309-0020X/8024XLF 72309-2020X/2024XLF
- 72309-0022X/8023XLF 72309-2022X/2023XLF
- 72309-0030X/8034XLF 72309-2030X/2034XLF
- 72309-0032X/8033XLF 72309-2032X/2033XLF
- 72309-0040X/8044XLF 72309-2040X/2044XLF
- 72309-0042X/8043XLF 72309-2042X/2043XLF
- 72309-1010X/7014XLF 72309-3010X/3014XLF
- 72309-1012X/7013XLF 72309-3012X/3013XLF
- 72309-1020X/7024XLF 72309-3020X/3024XLF
- 72309-1022X/7023XLF 72309-3022X/3023XLF
- 72309-1030X/7034XLF 72309-3030X/3034XLF
- 72309-1032X/7033XLF 72309-3032X/3033XLF
- 72309-1040X/7044XLF 72309-3040X/3044XLF
- 72309-1042X/7043XLF 72309-3042X/3043XLF
- 72309-0110X/8114XLF 72309-4040X/4044XLF
- 72309-0112X/8113XLF 72309-5012X/5013XLF
- 72309-0120X/8124XLF 72309-5030X/5034XLF
- 72309-0122X/8123XLF 72309-5040X/5044XLF/5044XSLF
- 72309-0130X/8134XLF 72309-5140X/5144XLF
- 72309-0132X/8133XLF 72309-6220X/9224XLF
- 72309-0140X/8144XLF 72309-A034XLF
- 72309-0142X/8143XLF 72309-3015XLF
- 72309-1110X/7114XLF 72309-3045XLF
- 72309-1112X/7113XLF 72309-S033XPLF
- 72309-1120X/7124XLF 72309-S034XPLF
- 72309-1122X/7123XLF
- 72309-1130X/7134XLF
- 72309-1132X/7133XLF
- 72309-1140X/7144XLF
- 72309-1142X/7143XLF

mat'l. code		surface ISO 1302 ✓		tolerance ISO 406 ISO 1101		projection		product family	
ltr		ecn no		dr		date		title	
AL								USB HPL511	
								UNIV. SERIAL BUS DOUBLE DECK RECEPTACLE	
								dwg no sheet 4 of 4 size	
								72309 A3	
								type Product Customer Drawing	
sheet index		revision sheet		AL		1~4			

Amphenol FCI

© 2016 AFCI