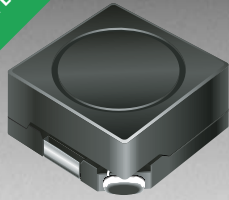


*RoHS COMPLIANT



BOURNS®

Features

- Available in E6 series
- Low unit height of 4.8 mm
- High current
- RoHS compliant*

Applications

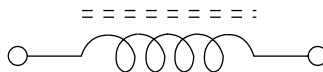
- Input/output of DC/DC converters
- Power supplies for:
 - Portable communication equipment
 - Camcorders
 - LCD TVs
 - Car radios

SRR0604 Series - Shielded Power Inductors

Electrical Specifications

Bourns Part No.	Inductance 1kHz		Q Ref.	Test Frequency (MHz)	SRF Min. (MHz)	RDC (Ω)	I rms Max. (A)	I sat Typ. (A)
	(H)	Tol. %						
SRR0604-1R5ML	1.5	± 20	23	7.96	110.0	0.028	2.80	3.95
SRR0604-2R5ML	2.5	± 20	21	7.96	100.0	0.035	2.50	3.50
SRR0604-3R3ML	3.3	± 20	21	7.96	90.0	0.050	2.30	2.90
SRR0604-4R7ML	4.7	± 20	10	7.96	50.0	0.060	2.00	2.55
SRR0604-6R8ML	6.8	± 20	20	7.96	37.0	0.070	1.60	2.05
SRR0604-100ML	10	± 20	18	2.52	30.0	0.12	1.30	1.80
SRR0604-150ML	15	± 20	18	2.52	30.0	0.13	1.10	1.45
SRR0604-220ML	22	± 20	16	2.52	25.0	0.19	0.90	1.20
SRR0604-330KL	33	± 10	16	2.52	21.0	0.25	0.70	0.95
SRR0604-470KL	47	± 10	15	2.52	18.0	0.35	0.60	0.80
SRR0604-680KL	68	± 10	15	2.52	15.0	0.52	0.50	0.68
SRR0604-101KL	100	± 10	23	0.796	13.0	0.65	0.40	0.57
SRR0604-151KL	150	± 10	21	0.796	12.0	1.00	0.30	0.47
SRR0604-221KL	220	± 10	20	0.796	10.0	1.70	0.25	0.32
SRR0604-331KL	330	± 10	18	0.796	7.0	2.10	0.20	0.28
SRR0604-471KL	470	± 10	18	0.796	6.5	3.30	0.18	0.22
SRR0604-681KL	680	± 10	16	0.796	6.0	4.80	0.15	0.19
SRR0604-102KL	1000	± 10	15	0.252	5.5	6.10	0.12	0.15

Electrical Schematic



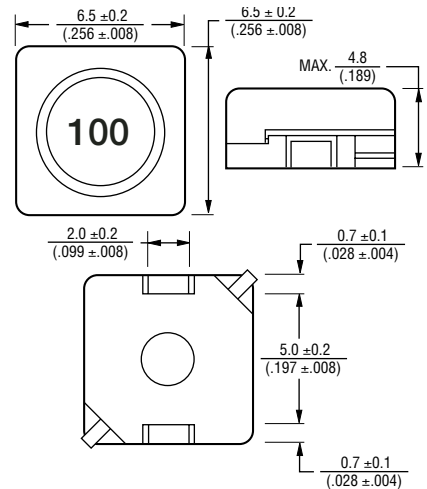
General Specifications

Test Voltage.....1 Volt
 Reflow Soldering.....230 °C; 50 sec max.
 Operating Temperature ..-40 °C to +125 °C
 (Temperature rise included)
 Storage Temperature...-40 °C to +125 °C
 Resistance to Soldering Heat
260 °C for 5 sec.

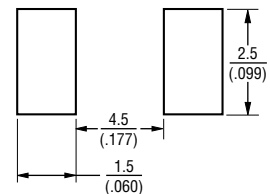
Materials

Core Material.....Ferrite DR & RI
 WireEnamelled Copper
 BaseLCP E4008
 Terminal.....Cu/Ni/Sn
 Rated Current ..Ind. drop 10 % typ at I sat
 Temperature Rise ..40 °C max at rated I rms
 Packaging.....1000 pcs. per reel

Product Dimensions



Recommended Layout



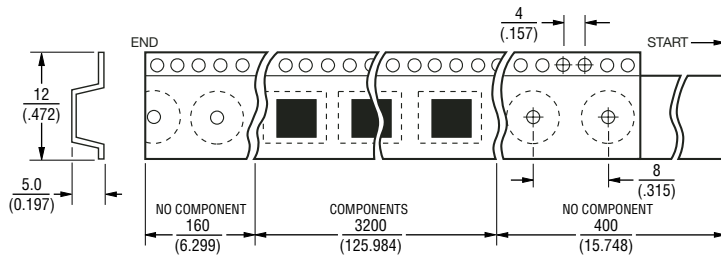
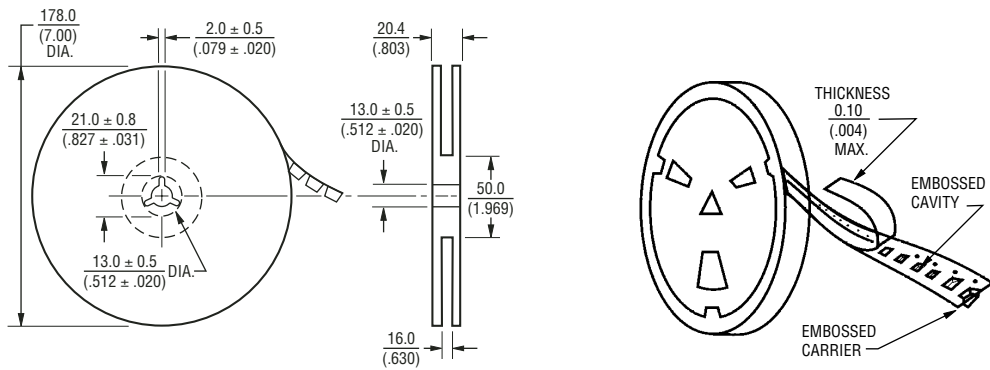
DIMENSIONS: $\frac{\text{MM}}{\text{(INCHES)}}$

*RoHS Directive 2002/95/EC Jan 27 2003 including Annex
 Specifications are subject to change without notice.
 Customers should verify actual device performance in their specific applications.

SRR0604 Series - Shielded Power Inductors

BOURNS®

Packaging Specifications



USER DIRECTION OF FEED
 QTY: 1000 PCS. PER REEL

DIMENSIONS: $\frac{\text{MM}}{\text{(INCHES)}}$